

POWER AMPLIFIER SECTION

POWER OUTPUT
90 watts per channel, minimum RMS, at 8 ohms, from 20 Hz to 20,000 Hz with no more than 0.03% total harmonic distortion.

Both Channel Driven
95 + 95 watts 8 ohms at 1,000 Hz
110 + 110 watts 4 ohms at 1,000 Hz

Dynamic Power Output
470 watts 4 ohms
0.03% at rated power into 8 ohms

Total Harmonic Distortion
0.01% at 1 watt into 8 ohms
0.03% at rated power into 8 ohms

Intermodulation Distortion
(60 Hz : 7 kHz = 4 : 1)
0.01% at 1 watt into 8 ohms

Power Bandwidth
5 Hz to 60,000 Hz
DC to 100,000 Hz +0 dB, -1 dB

Frequency Response
115 dB (short circuited)
50 at 8 ohms

Signal to Noise Ratio
1.0V/50 kohms
Accept 4 ohms to 16 ohms

Damping Factor
50 at 8 ohms

Input Sensitivity/Impedance
1.0V/50 kohms
Accept 4 ohms to 16 ohms

PRE AMPLIFIER SECTION

Input Sensitivity/Impedance/Signal to Noise Ratio (HF, A)
2.5 mV/50 kohms/83 dB
2.5 mV/50 kohms/83 dB

Phono 1
150 mV/50 kohms/100 dB
150 mV/50 kohms/100 dB

Phono 2
150 mV/50 kohms/100 dB
150 mV/50 kohms/100 dB

Tuner
150 mV/50 kohms/100 dB
150 mV/50 kohms/100 dB

AUX
250 mV (rms), T.H.D. 0.03%
at 1,000 Hz

Tape A, B
150 mV/50 kohms
150 mV/50 kohms

Maximum Input Level for Phono 1
at 1,000 Hz
150 mV/450 ohms
30 mV/80 kohms
1 V/330 ohms

Output Level/Impedance
(DIN)
1 V/330 ohms

Pre Out
R.I.A.A. standard curve +0.2 dB, -0.2 dB
7 Hz to 50,000 Hz +0 dB, -1 dB

Frequency Response
R.I.A.A. standard curve +0.2 dB, -0.2 dB
7 Hz to 50,000 Hz +0 dB, -1 dB

Phono
7 Hz to 50,000 Hz +0 dB, -1 dB

AUX & Tape
7.5 dB at 100 Hz
± 7.5 dB at 10,000 Hz

Tone Control
Bass (Turnover at 3 kHz)
+10 dB at 100 Hz
+10 dB at 30 Hz
+10 dB at 30 Hz

Treble
+10 dB at 10,000 Hz
+10 dB at 100 Hz
+10 dB at 30 Hz

Loudness Control (-30 dB)
(1)
+10 dB at 30 Hz
+10 dB at 30 Hz

Subsonic Filter
18 Hz, 12 dB/oct.
8 kHz, 12 dB/oct.

High Filter
18 Hz, 12 dB/oct.
8 kHz, 12 dB/oct.

GENERAL

Power Consumption
660 watts at full power
Switched 2, Unswitched 1

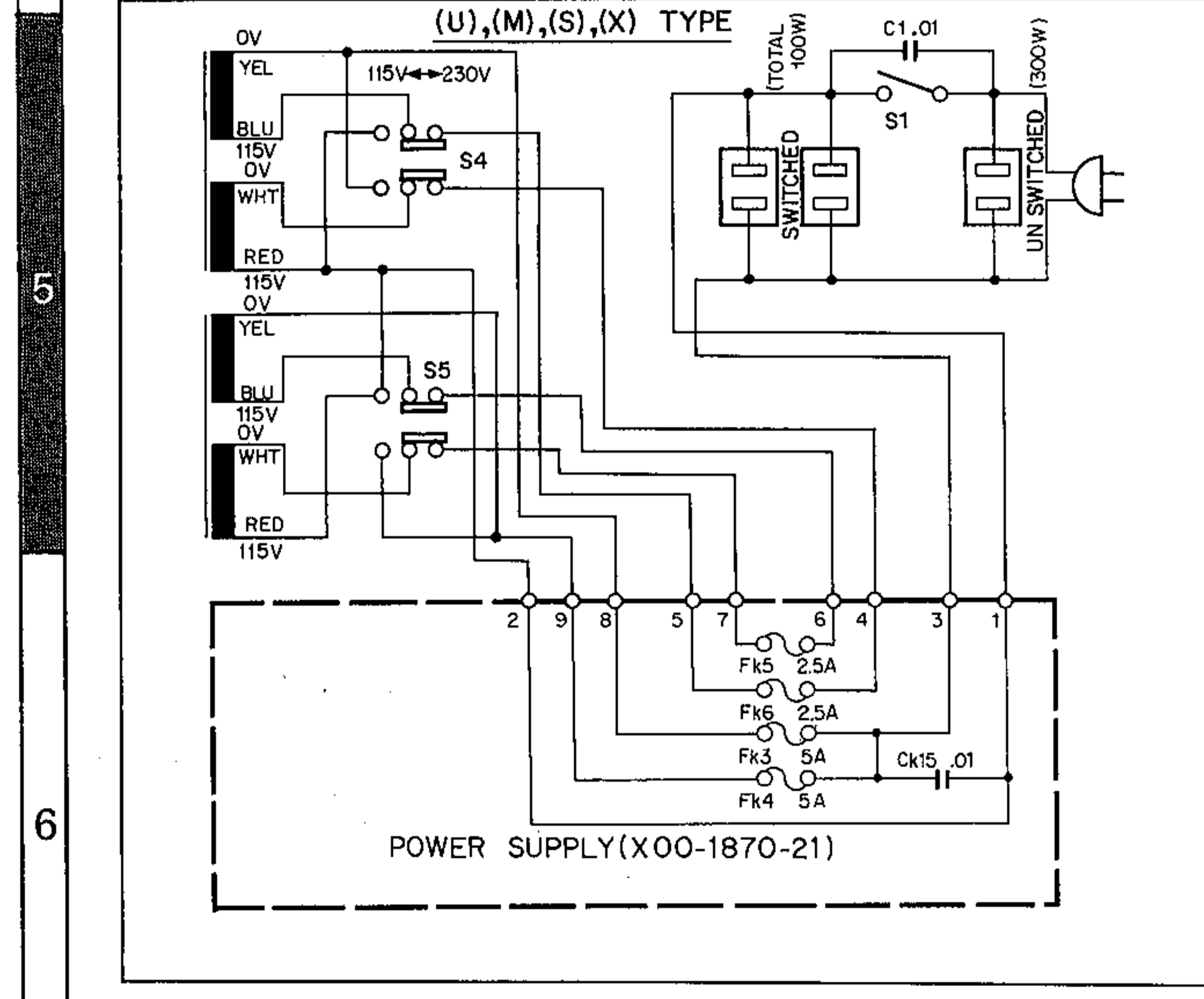
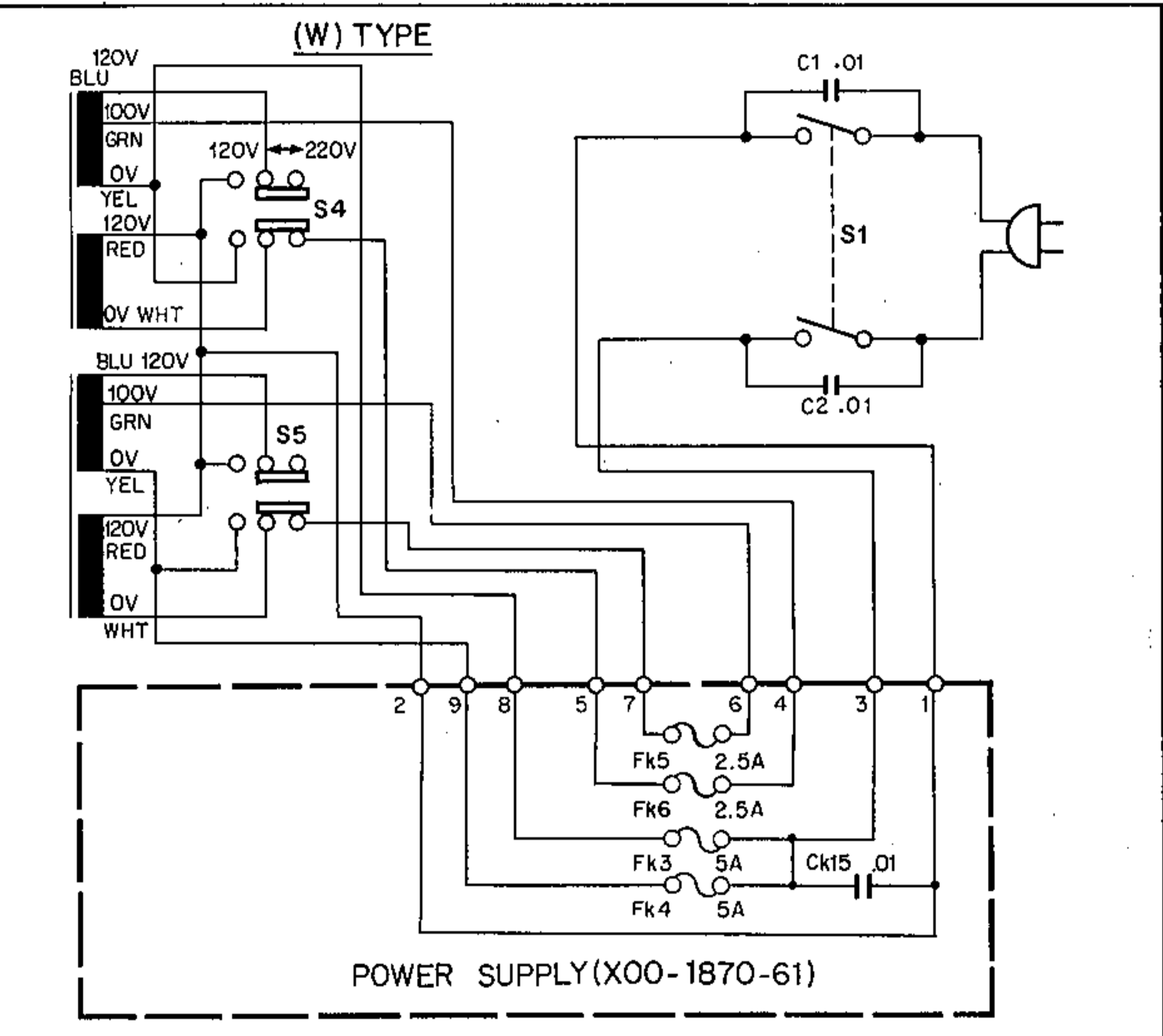
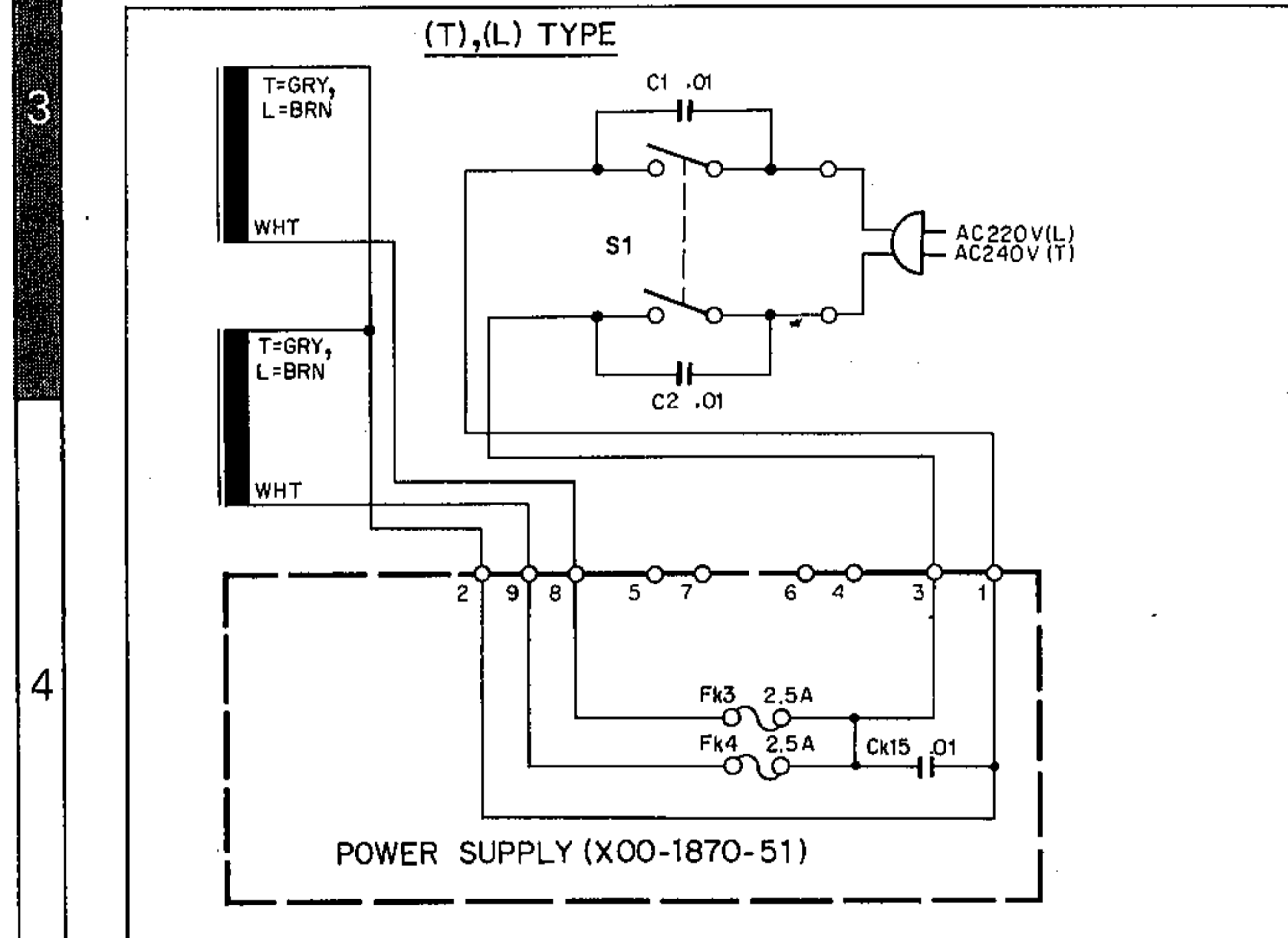
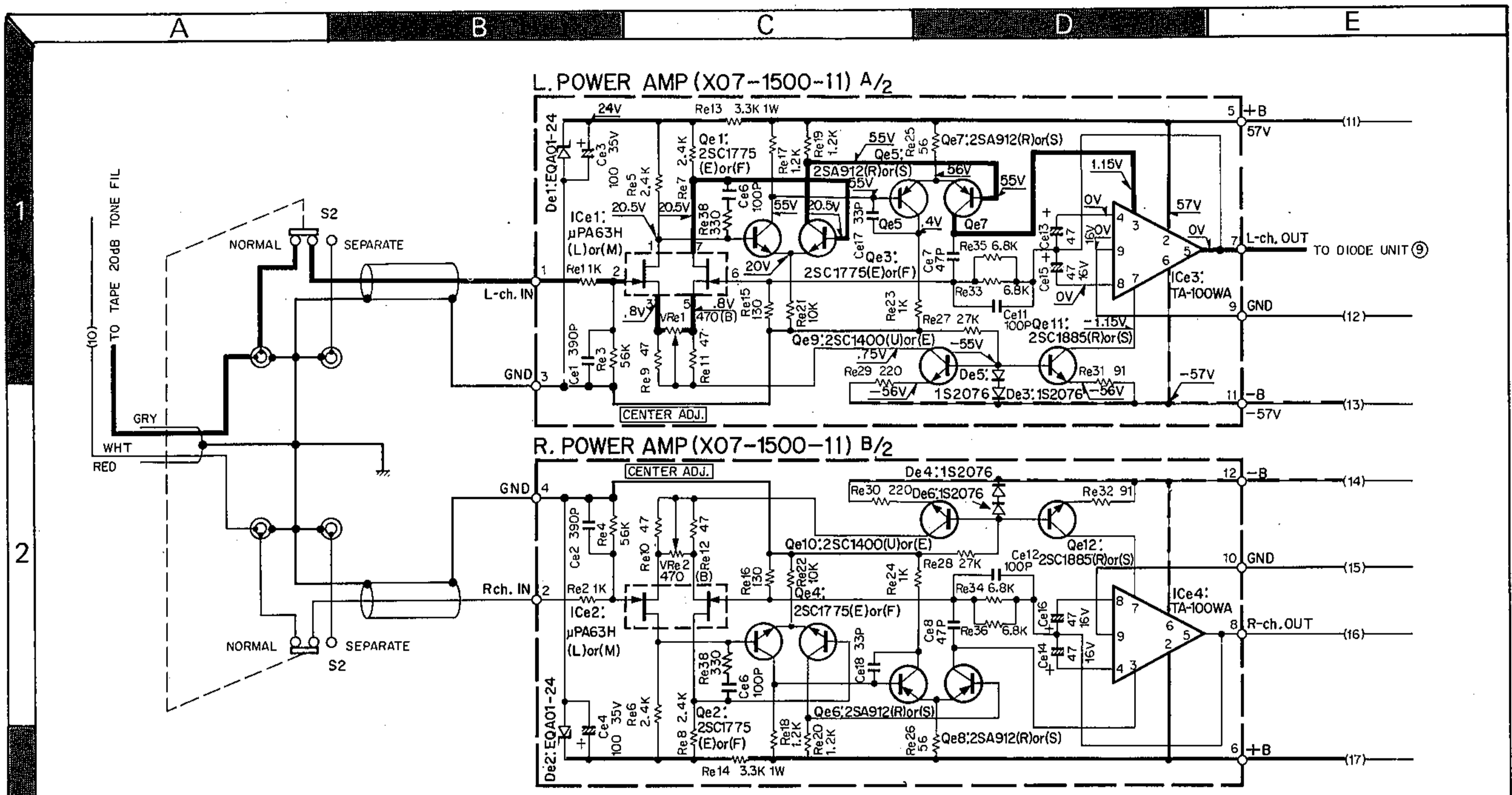
A.C. Outlets
Switched 2, Unswitched 1
5 W-15/16" (430 mm)
H 5-7/8" (149 mm)
D 15-1/8" (384 mm)
36.8 lbs. (16.7 kg)

Dimensions
Switched 2, Unswitched 1
5 W-15/16" (430 mm)
H 5-7/8" (149 mm)
D 15-1/8" (384 mm)
36.8 lbs. (16.7 kg)

Weight (Net)
36.8 lbs. (16.7 kg)

Weight (Net)
36.8 lbs. (16.7 kg)

Weight (Net)
36.8 lbs. (16.7 kg)



KA-9100(K)